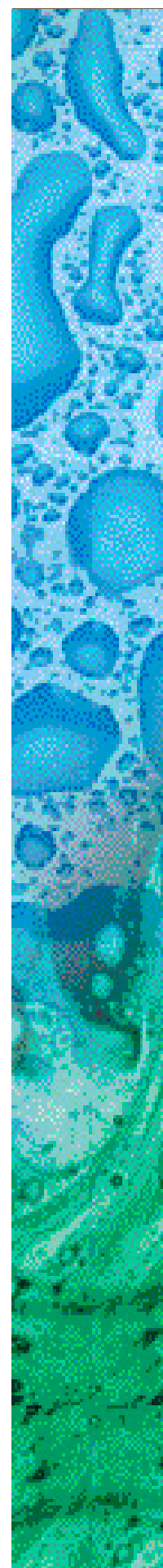
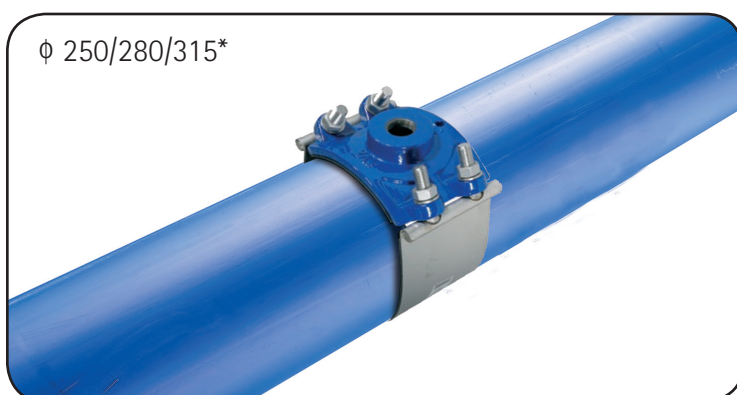
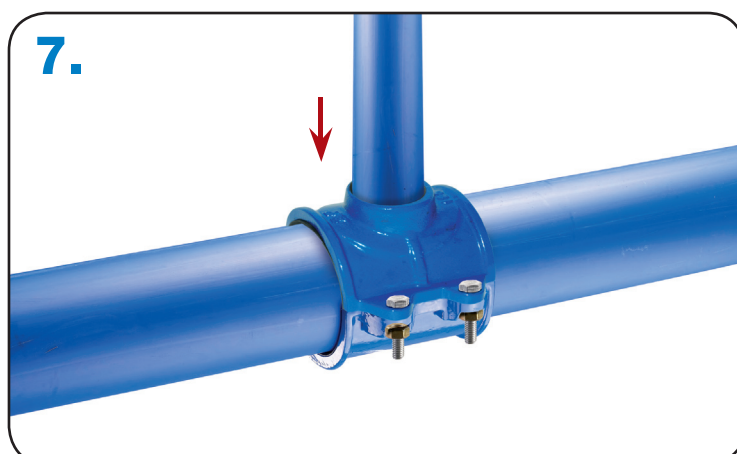
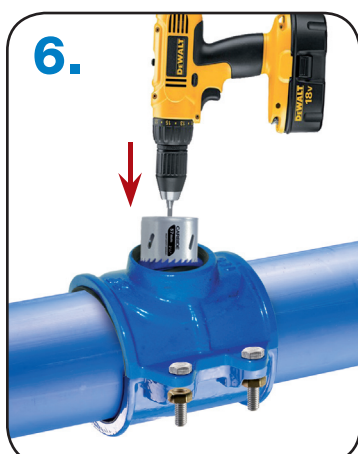
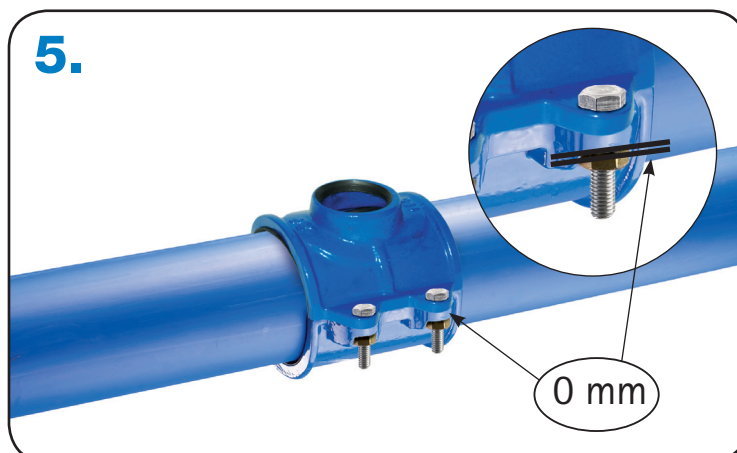
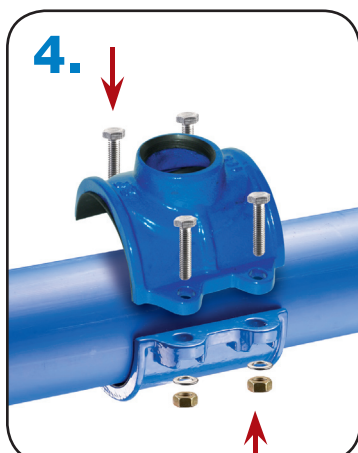
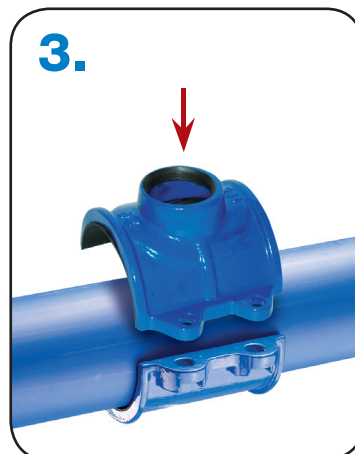


AVK Tapping Saddle Series 10

Mounting instructions



AVK Tapping Saddle Series 10

Part No.: XXXXXXXXXX



! CHECK



AVK International A/S

Bizonvej 1, Skovby · 8484 Galten

Tel.: +45 87 54 21 00

www.avkvalves.com

| Pipe D. ext mm | BSP 3/4" Ref. nos. | BSP 1" Ref. nos. | BSP 1 1/4" Ref. nos. | BSP 1 1/2" Ref. nos. | BSP 2" Ref. nos. | Weight kilos |
|-------------------|-----------------------|---------------------|-------------------------|-------------------------|---------------------|--------------|
| 50 | 10-050-40011 | 10-050-00011 | | | | 1.4 |
| 63 | 10-063-40011 | 10-063-00011 | 10-063-10011 | 10-063-20011 | 10-063-30011 | 1.5 |
| 75 | 10-075-40011 | 10-075-00011 | 10-075-10011 | 10-075-20011 | 10-075-30011 | 2.1 |
| 90 | 10-090-40011 | 10-090-00011 | 10-090-10011 | 10-090-20011 | 10-090-30011 | 2.5 |
| 110 | 10-110-40011 | 10-110-00011 | 10-110-10011 | 10-110-20011 | 10-110-30011 | 3.4 |
| 125 | 10-125-40011 | 10-125-00011 | 10-125-10011 | 10-125-20011 | 10-125-30011 | 3.5 |
| 140 | 10-140-40011 | 10-140-00011 | 10-140-10011 | 10-140-20011 | 10-140-30011 | 5.2 |
| 160 | 10-160-40011 | 10-160-00011 | 10-160-10011 | 10-160-20011 | 10-160-30011 | 5.8 |
| 180 | 10-180-40011 | 10-180-00011 | 10-180-10011 | 10-180-20011 | 10-180-30011 | 6.5 |
| 200 | 10-200-40011 | 10-200-00011 | 10-200-10011 | 10-200-20011 | 10-200-30011 | 8.7 |
| 225 | 10-225-40011 | 10-225-00011 | 10-225-10011 | 10-225-20011 | 10-225-30011 | 9.5 |
| 250* | 10-250-40011 | 10-250-00011 | 10-250-10011 | 10-250-20011 | 10-250-30011 | 3.6 |
| 280* | 10-280-40011 | 10-280-00011 | 10-280-10011 | 10-280-20011 | 10-280-30011 | 3.7 |
| 315* | 10-315-40011 | 10-315-00011 | 10-315-10011 | 10-315-20011 | 10-315-30011 | 3.8 |

* SS - Bottom part